

8 7 6 5 4 3 2 1

D

C

B

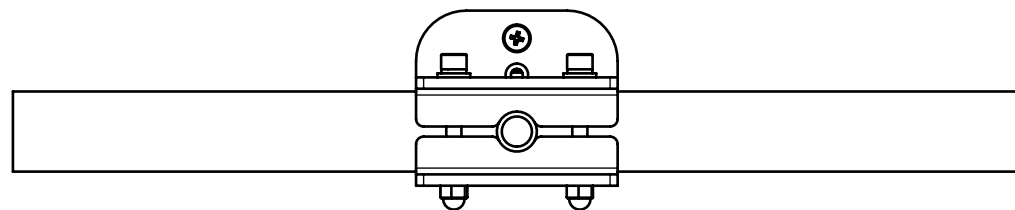
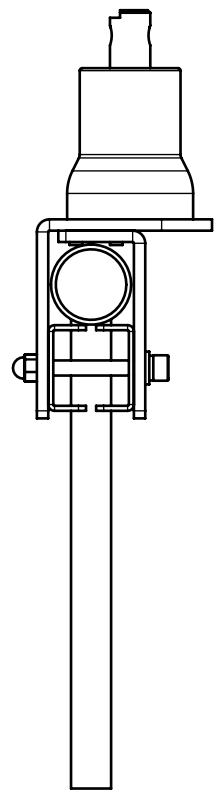
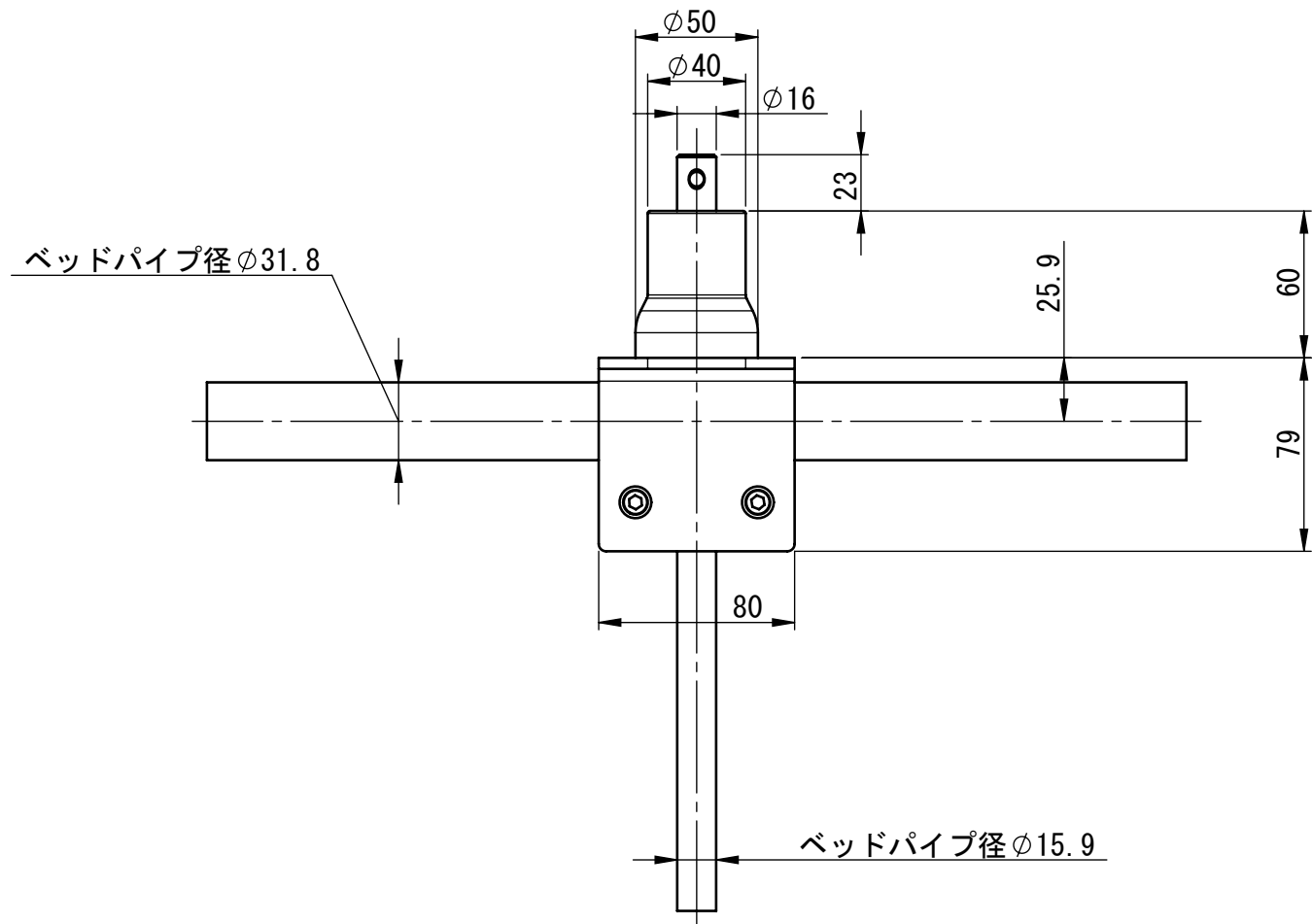
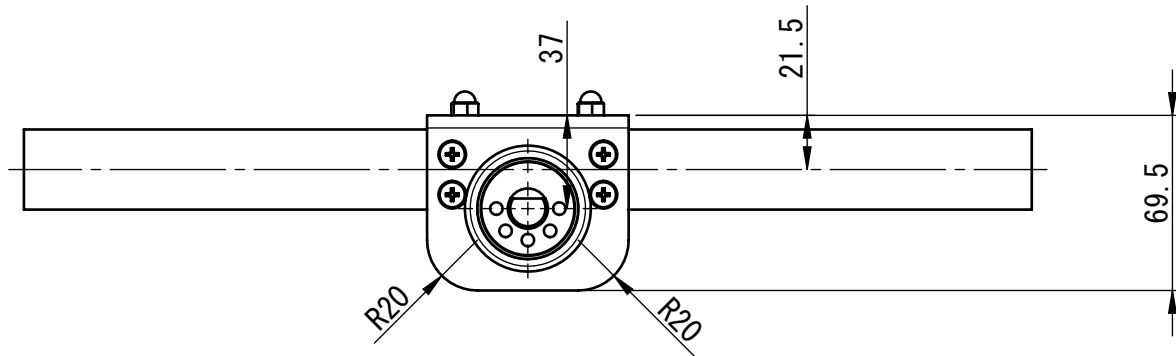
A

D

C

B

A



THIRD ANGLE PROJECTION



MATERIAL

FINISH

DO NOT SCALE DRAWING

	NAME	DATE	ALPHATEC	
DRAWN			TITLE:	
CHECKED			ベッドパイプ固定ブラケット	
ENG APPR.			BP-A06	
MFG APPR.			SIZE	DWG. NO.
Q.A.			A3	REV
COMMENTS:			SCALE: 1:5	SHEET 4 OF 5

8 7 6 5 4 3 2 1